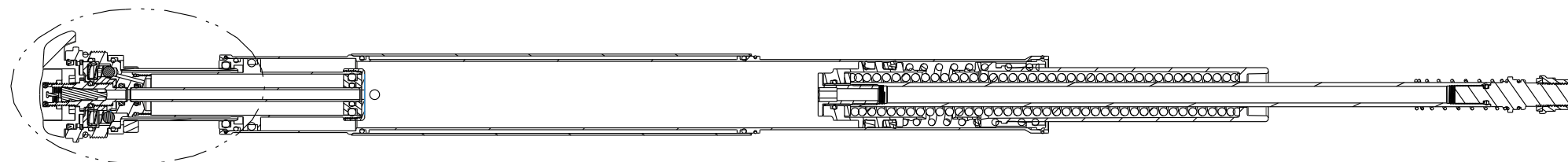


4

3

2

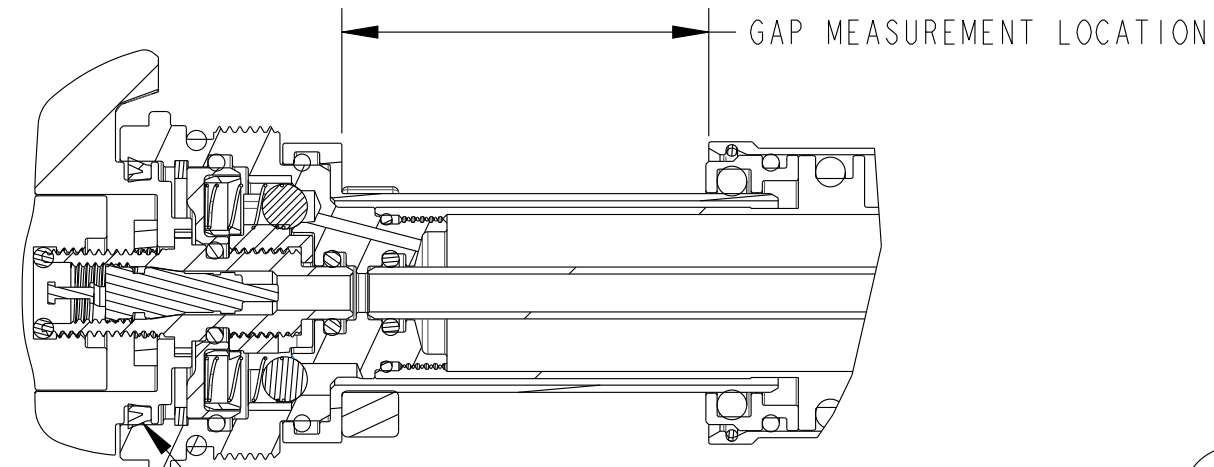
1



SECTION A-A
SCALE 0.5:1

REFERENCE ONLY
(FOR INSTALLATION
INTO FORK)

TORQUE:
50±5 IN.LB.



DETAIL A
SCALE 1.5:1

IMPORTANT:
NOTE ORIENTATION
OF U-CUP SEAL

234-04-593
Neg Plate, TALAS 5

038-01-060

Retaining Ring: Wire [0.950 OD x 0.040 CS]

241-01-002

Fastener, Custom: Crush Washer, Plastic, R_RL_RLC

241-00-005

Fastener, Custom: Nut, Bottom, R_RL_RLC

AIR SHAFT ASSEMBLY

GREASE:
THIN LAYER SLICK HONEY
ENTIRE LENGTH OF ID

GREASE:
THIN LAYER
OF SLICK HONEY

038-01-060

Retaining Ring: Wire [0.950 OD x 0.040 CS]

XV SLEEVE 234-04-479

029-08-072

Seals: O-Ring [23.0MM ID x 1.5MM CS] Metric, N-70, Static

CARTRIDGE TUBE 234-04-603

Travel Adjust Spacer, TALAS 5

6

REFERENCE ONLY
(FOR INSTALLATION
INTO FORK)

(029-08-072)

GREASE:
THIN LAYER
OF SLICK HONEY

TORQUE:
220±5 IN.LB.

GREASE:
THIN LAYER
OF SLICK HONEY

TORQUE:
40±5 IN.LB.

TORQUE:
25±5 IN.LB.

TOPCAP ASSEMBLY 820-05-262-KIT

029-08-060

Seals: O-Ring [6.0mm ID x 1.5mm CS] Metric, N-70, Static

010-00-050

Air Valve Parts: Tank Valve [5/16-32] w/O-ring Boss

GREASE:
THIN LAYER
OF SLICK HONEY

036-01-043

Seals: U-Cup, Shore 70A, 2013 Fit-CTD and CTD-ADJ

LEVER 234-04-477

241-00-009

NUT, 5/16-32

234-04-424

Air Cap, TALAS 5

029-03-008

O-Ring (-008) [.070 C.S. X .176 ID]

- PROPRIETARY -
THIS DOCUMENT CONTAINS CONFIDENTIAL, PROPRIETARY INFORMATION
THAT IS FOX PROPERTY. DO NOT DISCLOSE TO OR DUPLICATE
FOR OTHERS EXCEPT AS AUTHORIZED BY FOX.

FOX FOX Factory, Inc. Ph 831-768-1100
130 Hangar Way, Watsonville, CA 95076 USA Fax 831-768-9312

TITLE
**36mm 170-180 TALAS 5,
Cartridge Assembly, Complete**

SIZE DWG. NO.

C
PLOT SCALE 0.60:1

SHEET 1 OF 1

ProE ASSEM

4

3

2

1